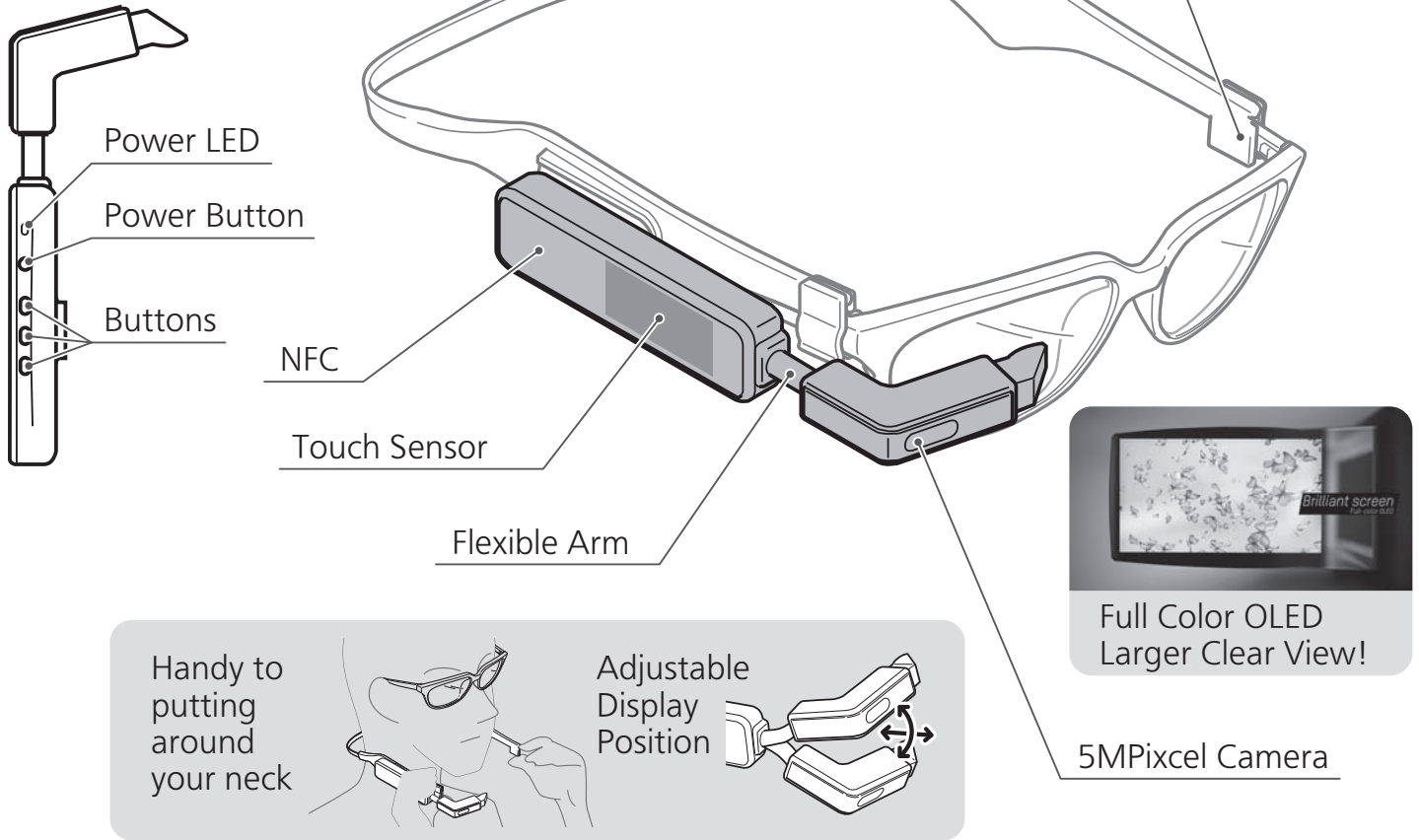


InfoLinkerTM 2

LINK REALITY



FIXED with Glasses by CLIPS



For more information about the InfoLinker2™ software, visit <https://www.westunitis.com>

SPECIFICATION

WUZ-03A InfoLinker2™

* Spec may change without notice.

Buttons	4	ROM	16GB	Battery type	Li-ion polymer (BuiltIn)
Touch sensor	1	Sensor	3-axis accelerometer, 3-axis gyro, 3-axis magnetic, pressure, proximity	Battery capacity (BuiltIn)	637mAh
Approximate weight	60g(2.1oz)	Camera resolution	5M pixels	Certification	IPX4
Resolution	nHD+ (640x400) Full Color OLED	Microphone	Monaural microphone	GPS	1
Aspect ratio	16 : 10	Voice input / output	Monaural speaker	NFC	1
Field of view(approx)	20.2degrees	Bluetooth®	Bluetooth 4.1 (BLE available)	Vibration	1
OS	Android™ 7.0	Wireless LAN	IEEE 802.11 a/b/g/n/ac	Can be fitted to either of the right eye or the left eye	
RAM	2GB	USB port	Type-C™(USB2.0)		

ACCESSORIES (Included)

- Type-C™ cable
- Neckband mounter
- InfoLinker2™ storage case
- Quick guide
- User manual
- Camera OFF parts

Sold separately

- LED light & Battery
- Clip mounter
- Helmet mounter

●InfoLinker2™ is a trademark of WESTUNITIS CO., LTD. ●Android is a trademark of Google Inc. ●Bluetooth® is a registered trademark of Bluetooth SIG, Inc. USA ●IEEE is a trademark of The Institute of Electrical and Electronics Engineers, Inc. ●Type-C™ is a trademark of USB Implementers Forum ●All rights not specified in this manual belong to their owners.

WESTUNITIS CO., LTD.
29F Grand Front Osaka Tower-A, 4-20, Ofukacho, Kita-ku, Osaka, 530-0011, Japan
TEL : +81-6-6375-2831

Tokyo Office
4F Kokusai Building 3-1-1 Marunouchi, Chiyoda-ku, Tokyo, 100-0005, Japan
TEL : +81-3-6551-2471

Contact Information Japan : contact@westunitis.co.jp web : <https://www.westunitis.co.jp> Others : contact@westunitis.com web : <https://www.westunitis.com>